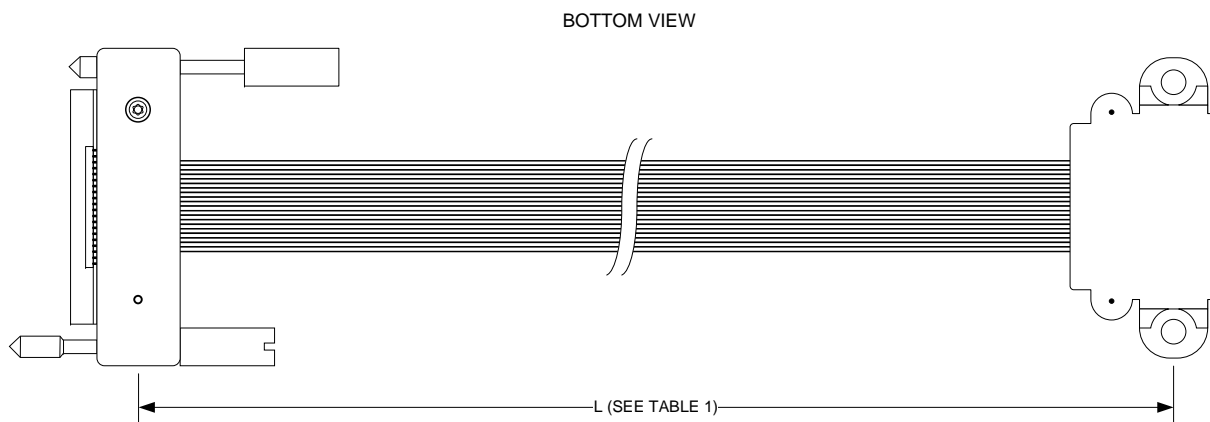



TOP VIEW



BOTTOM VIEW

TABLE 1	
SBCxxx	LENGTH (L)
SBC030	300 mm \pm 5%
SBC060	600 mm \pm 5%
SBC090	900 mm \pm 5%

ALL DIMENSIONS IN MILLIMETERS
UNLESS OTHERWISE NOTED

VERTILON CORPORATION 66 TADMUCK ROAD WESTFORD, MA 01886 WWW.VERTILON.COM		 SBCxxx SENSOR INTERFACE BOARD CABLE		
		SIZE A	FSCM NO	DWG NO 07110102
SCALE 1 : 1		2007-11-02	SHEET 1 OF 1	